



LED Linear Light

T8 Slim Batten

120
LM/W

PIR
Sensor



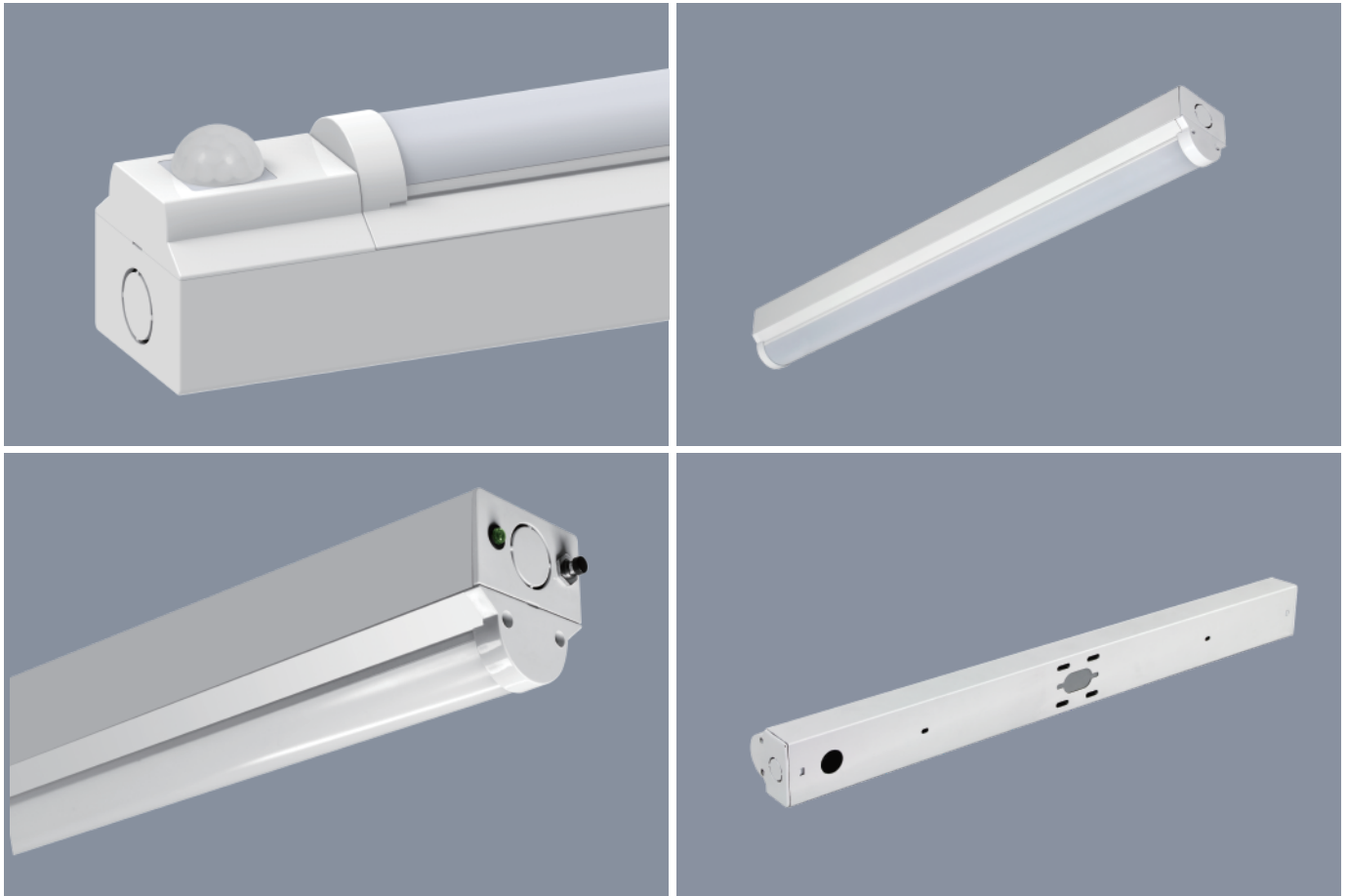
SAA CE  RoHS

60%
energy
saving

50,000
hours life

5 years
warranty

• Product Picture



• Features

- > Patent design for T8 fluorescent fitting
- > 1-10V dimming /PIR sensor/DALI
- > End or rear cable entry
- > Multiple Link through end hole
- > 5 years warranty

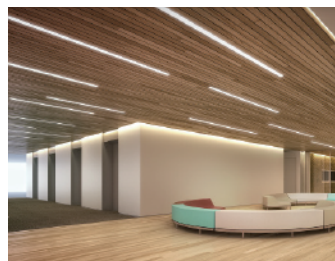
• Options

- > Function : ON-OFF / 1-10V dimming /DALI
- > PIR Sensor : With sensor OR W/O sensor
- > Installation : Surface mounting OR Suspension

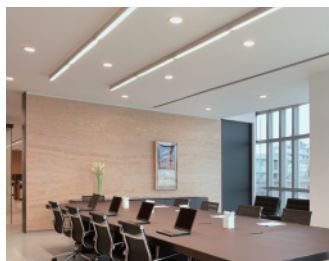
• Applications



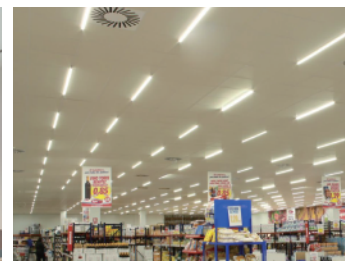
Replacement for
T8 /T5 fluorescent batten



Education light :
Classroom



Office Light :
Office, Conference room



Commercial Light :
Supermarket , Shoppingmall

• Data sheet

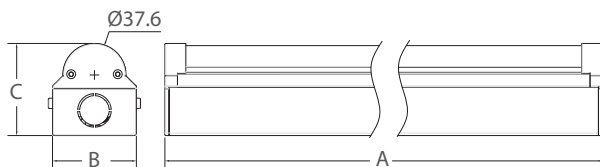
| Item | Symbol | L=60CM/2ft | L=120CM/4ft | | L=150CM/5ft | | L=180CM/6ft | |
|----------------|---------|--------------------------|--------------------------|--------------------------|--------------------------|--------------------------|--------------------------|--------------------------|
| Rated Power | W | 10W | 17W | 32W | 28W | 56W | 32W | 62W |
| Product Code | / | BT02-10PN1 -STN1B-001 | BT04-17PN1 -STN1B-001 | BT04-32PN1 -STN1B-001 | BT05-28PN1 -STN1B-001 | BT05-56PN1 -STN1B-001 | BT06-32PN1 -STN1B-001 | BT06-62PN1 -STN1B-001 |
| LED Type/Qty | SMD2835 | 78 | 156 | 156 | 208 | 364 | 324 | 442 |
| Lumen Efficacy | Lm/w | typ.120 | typ.120 | typ.120 | typ.120 | typ.120 | typ.120 | typ.120 |
| Luminous Flux | LM | typ.1200 | typ.2050 | typ.3850 | typ.3350 | typ.6700 | typ.3850 | typ.7500 |

• ErP Technical Specification

| Item | Specification / Data | Item | Specification / Data |
|-------------------|--|--------------------------------------|----------------------|
| Color Index | Ra>80 , R9>0 | Power factor | >0.95 |
| Beam Angle | 120 degree | Efficiency in | >93% |
| Function | EMG, PIR Sensor | Energy efficiency Class | A+ / A++ |
| Color Temperature | Single Color or Tri-Color | Standard deviation of color matching | <5 |
| Dimming Function | ON/OFF , 1-10V Dimming | Starting Time | <0.5S |
| LED current | Constant 50mA | Warm-up time to 60% | <0.5S |
| Input Voltage | AC200-240V/50Hz | Rated nominal Lifetime | >50,000 hours |
| Working Voltage | Constant DC36-42V | Lumen Maintenance at e.o.l. | >80% |
| Housing material | Aluminum + PC | LED Device Lifetime | L80/B10@50,000 hours |
| Temperature | Operation:-15°C~+50°C, Storage:-25°C~+55°C | Switching Cycle before Failure | >100,000 times |
| Protection Class | IP20 | Color consistency in level | Max. 6SDCM |
| Warranty | 5 years | THD | <15% |



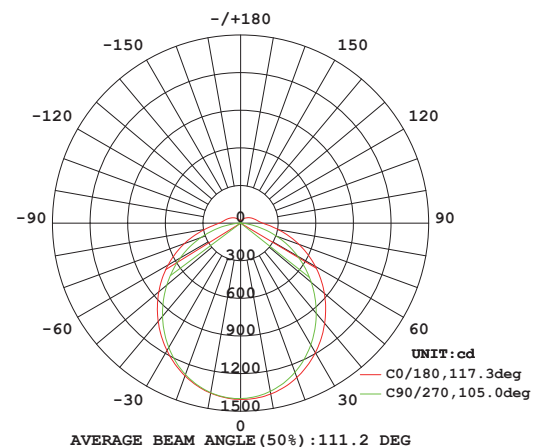
• Dimension



| Product Name | A | B | C |
|--------------|------|----|----|
| 60cm/2ft | 600 | 55 | 58 |
| 120cm/4ft | 1200 | 55 | 58 |
| 150cm/5ft | 1500 | 55 | 58 |
| 180cm/6ft | 1800 | 55 | 58 |

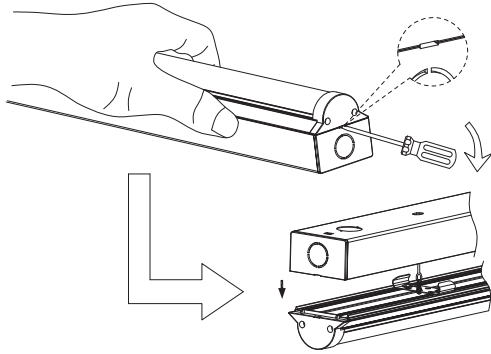
Unit:mm

• Photometry Curve

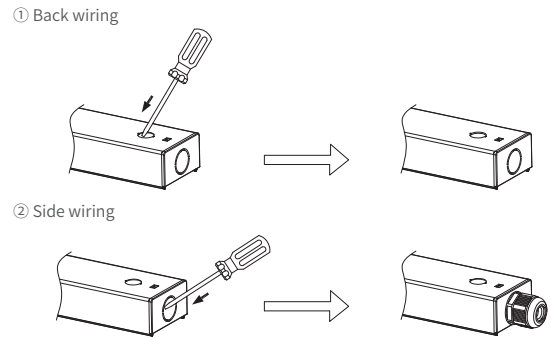


• Installation Instructions

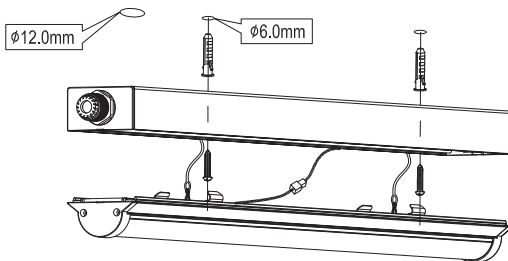
1).Open the lamps,then take out the accessories bag



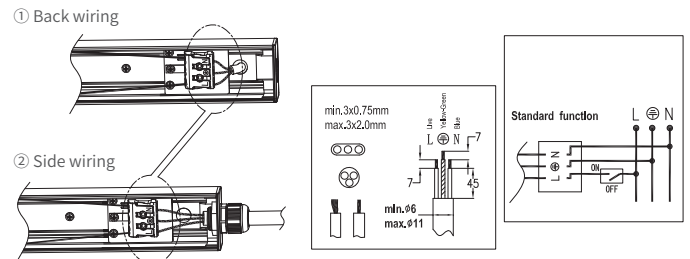
2).Pop out required entry hole,then mount the cable gland



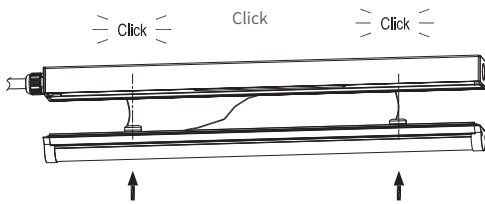
3).Fix the rear aluminium casing to the wall/ceiling



4).Connected the input wire to the terminal like below

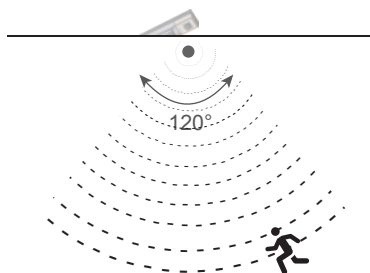


5).Assemble the lamp body on the aluminium casing

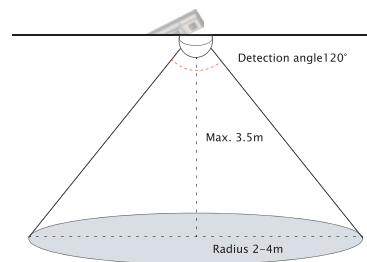


• PIR Sensor

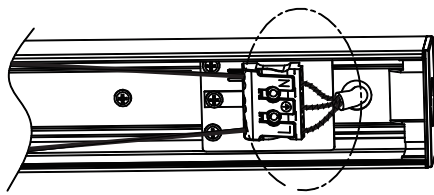
Sensing Angle



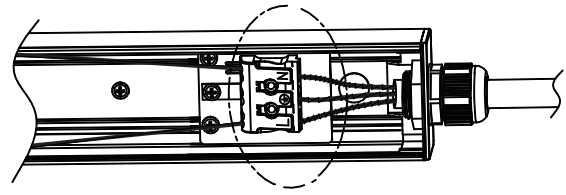
Sensing Distance



• Wiring Method

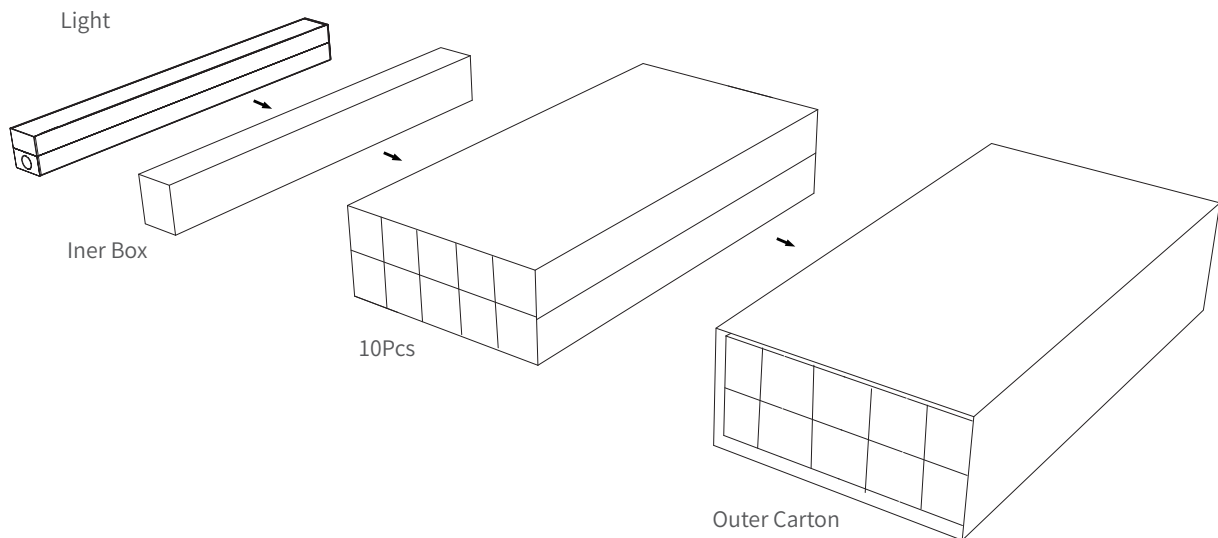


Back wiring



Side wiring

• Package



| Product Type | Rate Power | Inner Box | Outer Carton | Qty/Carton | Unit N.W | G.W/Carton |
|--------------|------------|------------------|--------------------|------------|----------|------------|
| 60cm/2ft | 10W | 608 x 60 x 63mm | 625 x 325 x 150mm | 10Pcs | 0.5kg | 6.4kg |
| 120cm/4ft | 17/32W | 1208 x 60 x 63mm | 1225 x 325 x 150mm | 10Pcs | 0.88kg | 11.3kg |
| 150cm/5ft | 28/56W | 1508 x 60 x 63mm | 1525 x 325 x 150mm | 10Pcs | 1.08kg | 14.5kg |
| 180cm/6ft | 32/62W | 1808 x 60 x 63mm | 1825 x 325 x 150mm | 10Pcs | 1.29kg | 17.8kg |

CAUTION

- ※ In case of electric shock, please make sure the power is off before installation.
- ※ The lamp should be installed and operated by a qualified electrician or technician in accordance with relevant local codes.
- ※ Do not use sharp tools near or on the surface of the lamp.
- ※ Unpack and examine the product carefully. Report any damage and save all packing materials if any portion of the product was damaged during transportation.