

Datasheet

MatePro UFO Highbay

Ripple Lens , Beamangle : 60°/90°/120°



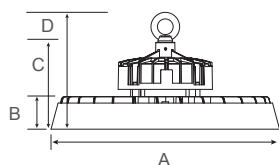
• Product Features

- > Highly energy efficient - up to 180 lm/w
- > Special heat sink design for excellent heating dissipation
- > IP65 / IK10 for all industrial applications
- > Driver and housing separated by spacers
- > Ripple-lens optic with 60°/90°/120° beam angle
- > Newest generation 1W SMD2835 as light source
- > D-Mark tested for the use in paper production, wood processing etc.
- > No UV or IR and completely mercury free
- > L80/B10 @ 50.000h
- > 5 years warranty

• Options

- > Drivers: Meanwell, Philips, Sosen
- > Controls and Dimming
 - Zigbee wireless control · 1-10V Dimming
 - Motion sensor · Emergency
 - DALI control · Daylight sensor
- > Driver shape: round or rectangular
- > Reflector : See page of accessories
- > Installation: See page of accessories
- > Lumen efficacy: 140Lm/w or 160Lm/w
- > UP-Light 8W/1000LM

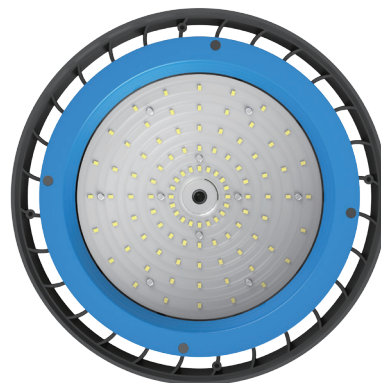
• Dimension



Product Name	A	B	C	D
D300	Φ300	65	155	205
D350	Φ350	65	155	205

Unit:mm

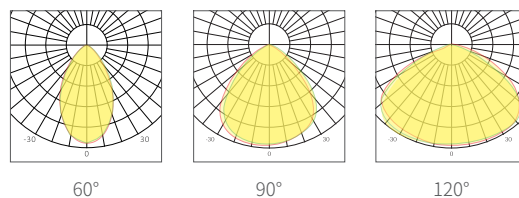
• Product Picture



• Applications

- > Factories / Warehouses /Workshops
- > Exhibitions & showrooms
- > Barns and riding halls
- > High rooms and halls
- > Traditional lamp replacement

• Photometry Curve



• Product code policy

HB XX -XX X XX - X X X X X- XXX
 01 02 03 04 05 06 07 08 09 10 11

01. Product category: HB: High Bay Light
02. Product dimension: eg: 30:Φ300mm;
03. Rated power: eg: 1A: 100W; 1B: 150W
04. Luminous Efficacy: A:Advanced 140LM/W
05. Color Temperature: eg:N1: 4000~4500K
06. Product name: U: UFO Highbay
07. Product version: R:Ripple Lens
08. Electrical function:N:ON/OFF
- 09.Power attribute:5:AC100-277V Flicker free power drive
- 10.Power supply manufacturer
- 11.Series No.: 001-499.

• Technical / Electrical Characters (at TA=25°C)

Item	Symbol	Advance:140LM/W				Deluxe:160LM/W			
		D300	D300	D350	D350	D300	D300	D350	D350
Unit Power	W	100W	150W	200W	240W	100W	150W	200W	240W
Product Code	/	HB30-1AAN1 -URN5M-001	HB30-1BAN1 -URN5M-001	HB30-2AAN1 -URN5M-001	HB30-2BAN1 -URN5M-001	HB30-1ADN1 -URN5M-001	HB30-1BDN1 -URN5M-001	HB35-2ADN1 -URN5M-001	HB35-2BDN1 -URN5M-001
LED Type/Qty	SMD2835	444	444	600	600	444	444	600	600
Lumen Efficacy	Lm/w	typ.140	typ.140	typ.140	typ.140	typ.160	typ.160	typ.160	typ.160
Luminous Flux	LM	typ.14000	typ.21000	typ.28000	typ.36600	typ.16000	typ.24000	typ.32000	typ.38400
Color Index	CRI(Ra)	Ra>80							
Color Temperature	TC(K)	WW:3000K, NW:4000K, PW:5000K, CW:6000K							
Beam Angle	Degree	60°/90°/120°							
Dimming Function	/	· Zigbee wireless control · 1-10V Dimming · Motion sensor · Emergency · DALI control · Daylight sensor							
LED current	mA	Constant 60mA							
Input Voltage	V	AC100~277V/50Hz							
Working Voltage	V	Constant DC36~60V							
Housing material	/	Aluminum + PC							
Protection Class	IP	IP65/IK10							
Temperature	°C	Operation:-15°C~+50°C				Storage:-25°C~+55°C			
Life Span	h	50,000 hours							
Switching Cycle before Failure	/	>100,000 times							
Warranty	/	5 years							

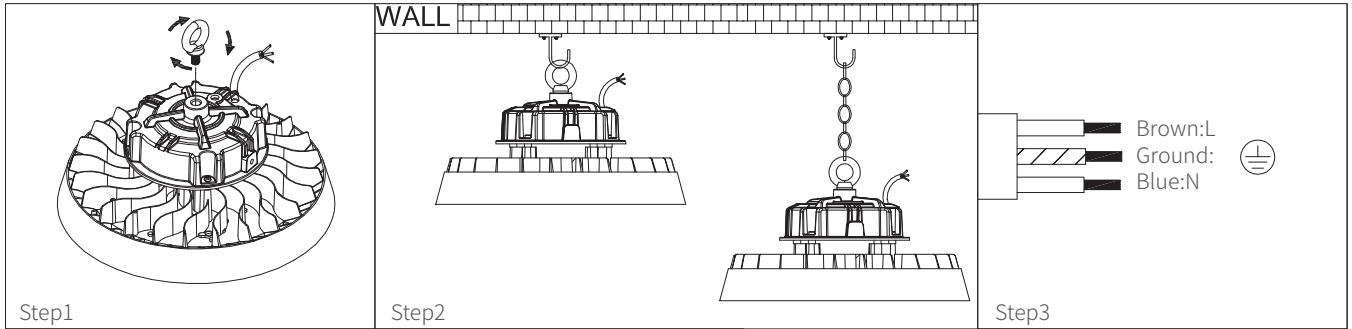
• ErP Technical Specification

Item	Symbol	Specification / Data
Power factor	PF	>0.95
Efficiency in	%	>93%
Energy efficiency Class	/	A++
Standard deviation of color matching	/	<5
Starting Time	S	<0.2S
Warm-up time to 60%	S	<0.5S
Rated nominal Lifetime	/	>50,000 hours
Driver MTBF	/ /	200,000 hours.MIL-HDBK-217F(25°C)
Lumen Maintenance at e.o.l.	%	>70%
LED Device Lifetime	/	L80/B10@50,000 hours

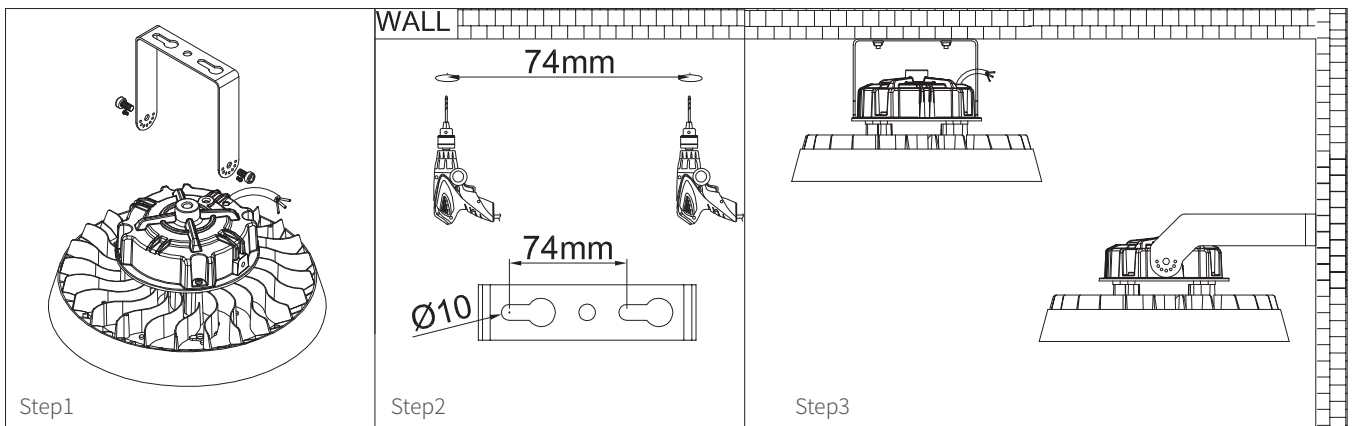


• Installation Instructions

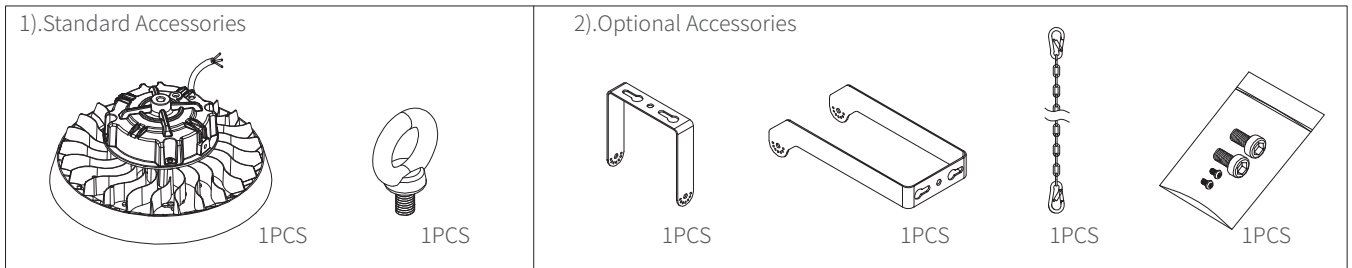
1. Hook mounted



2. Bracket mounted



3. Parts included



• Package

Product Type	Rated Power	Inner Box	Qty/Carton	Unit N.W	G.W/Carton
D300	100/150W	340 x 340 x 200 mm	1Pcs	4.1Kg	4.3Kg
D350	200/240W	390 x 390 x 205 mm	1Pcs	5.4Kg	5.6Kg

! CAUTION

- ※ In case of electric shock, please make sure the power is off before installation.
- ※ The lamp should be installed and operated by a qualified electrician or technician in accordance with relevant local codes.
- ※ Do not use sharp tools near or on the surface of the lamp.
- ※ Unpack and examine the product carefully. Report any damage and save all packing materials if any portion of the product was damaged during transportation.